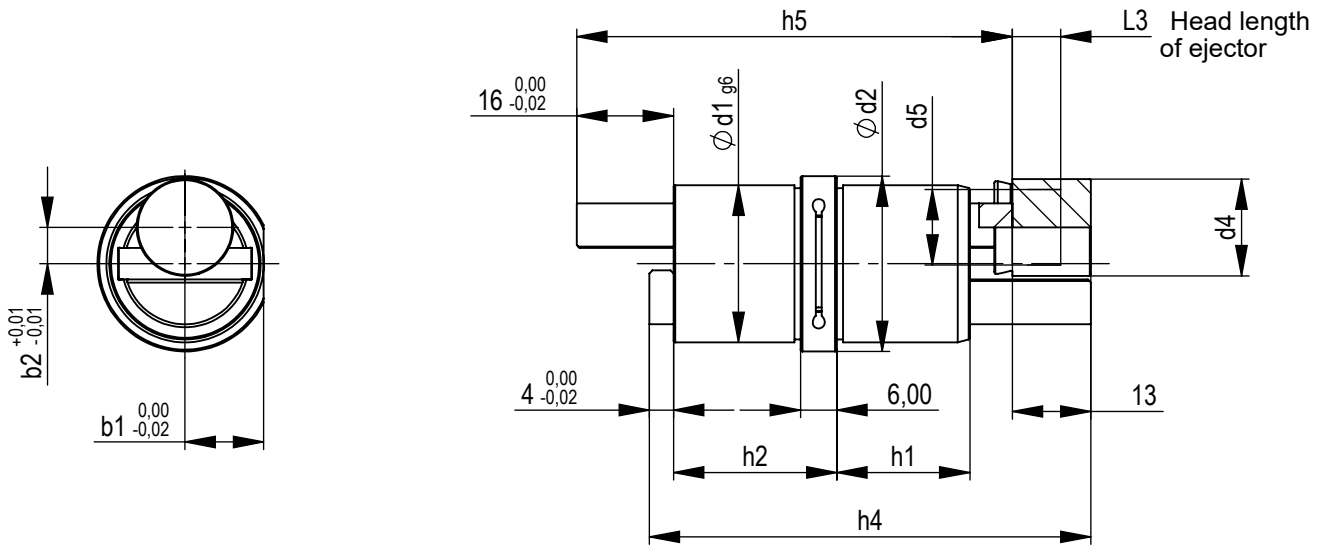
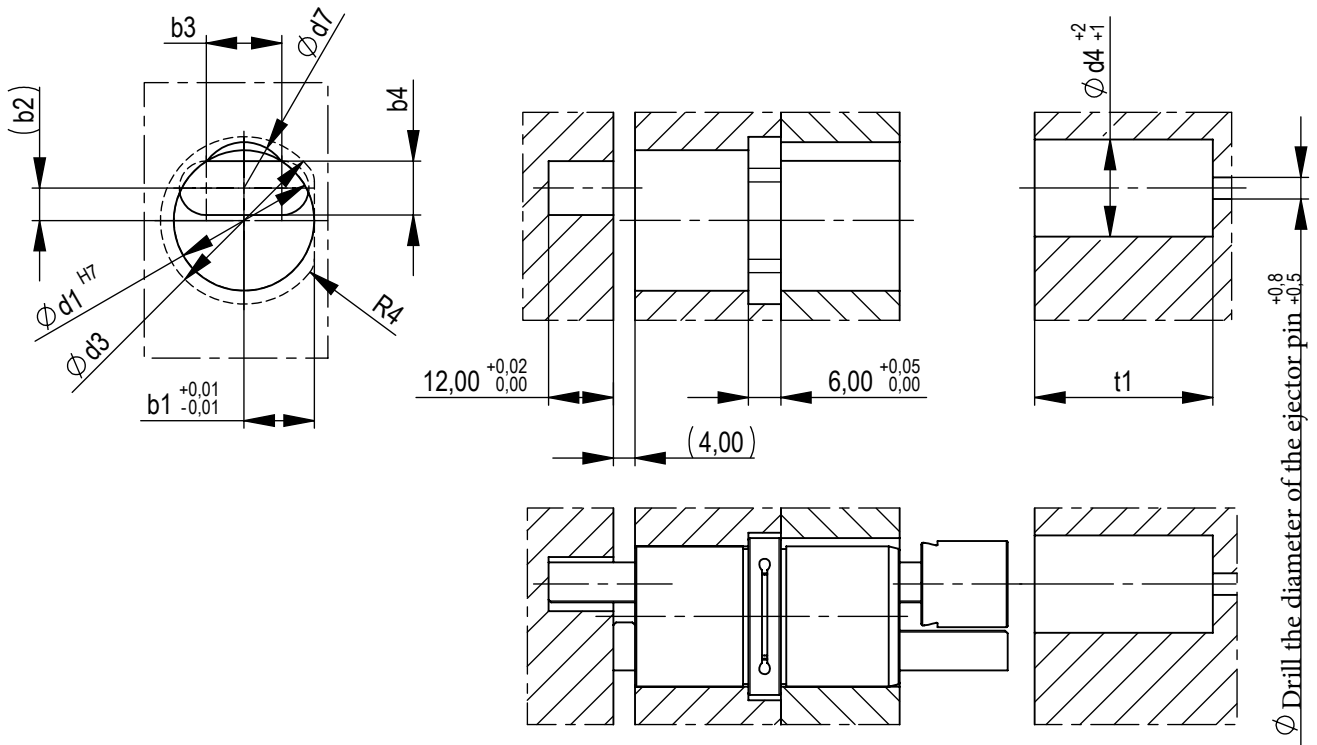


Multi-stroke accelerator, extending, hardened



1.2083 about 53 HRC

d1	d2	d4	b1	b2	h5	h4	Hub	h2	h1	Order No.
26	29	16	13	6	77	72	20	27	22	MH-AFG22-27



d3	d5 max	L3 max	d7	t1	b3	b4	Order No.
31	12,5	8	17	41	14	10	MH-AFG22-27

Multi-stroke accelerator extended hardened

